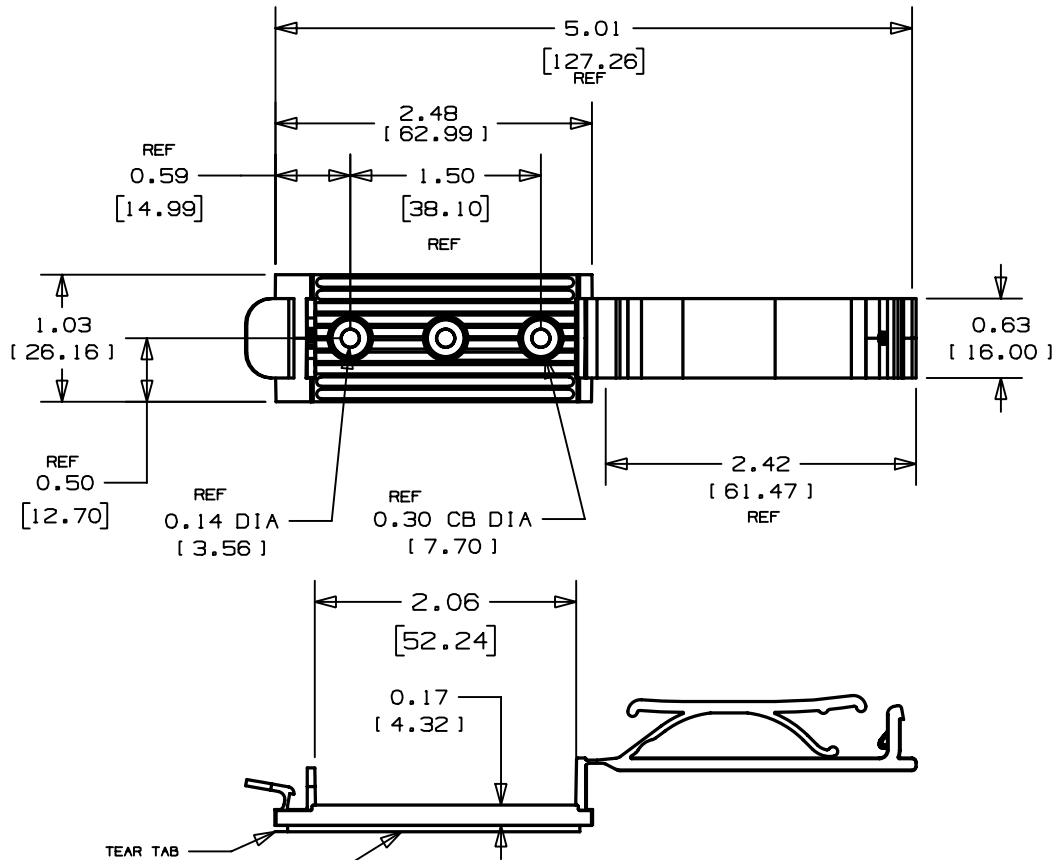


THIS COPY IS PROVIDED ON A RESTRICTED BASIS AND IS NOT TO BE USED IN ANY WAY DETRIMENTAL TO THE INTERESTS OF PANDUIT CORP.



TO APPLY FLAT CABLE HOLDER:

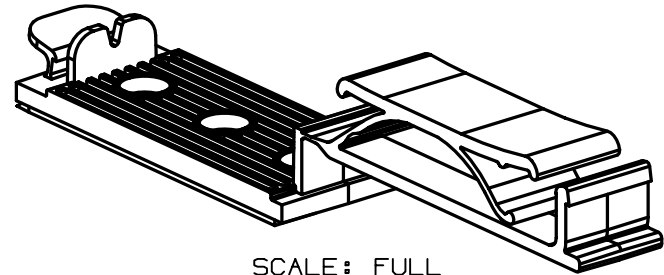
1. REMOVE PROTECTIVE LINER
2. PLACE IN DESIRED LOCATION
3. APPLY PRESSURE TO THE TOP OF FLAT CABLE HOLDER.

ADHESIVE BACKING

PRESSURE SENSITIVE FOAM TAPE 0.040(1.02) THICK WITH RUBBER ADHESIVE AND PROTECTIVE LINER. MOUNT IS DESIGNED TO SUPPORT 1.28lbs. (581.7g) MAXIMUM WEIGHT ON A CLEAN, DRY, SMOOTH, GREASE-FREE SURFACE.

PANDUIT PART NUMBER	WEIGHT lbs/100 pcs (g)/100 pcs
FCH2-A	2.40 (1089.60)

NO WARRANTY, EXPRESSED OR IMPLIED, IS MADE BY PANDUIT WITH RESPECT TO ADHESIVE BOND PERFORMANCE. AMONG OTHER THINGS, THE CONDITIONS UNDER WHICH THESE MOUNTS MAY BE APPLIED, AND/OR THE SURFACE TO WHICH THEY MAY BE APPLIED, ARE BEYOND PANDUIT'S CONTROL.



SCALE: FULL

DIMENSIONS IN BRACKETS ARE METRIC [mm]

CAD FILENAME/LAYERS

G00239FH_PB_FCH2_06

PANDUIT

CORP.

TINLEY PARK, ILLINOIS

FCH2-A
FLAT CABLE HOLDER

UNLESS OTHERWISE SPECIFIED,
DIMENSIONAL TOLERANCES ARE:
(.X) ±0.05 (1.3) (.XXX) ±0.010 (0.25)
(.XX) ±0.02 (0.5) ANGLES ± 5°

UNLESS OTHERWISE SPECIFIED,
ALL DIMENSIONS ARE GIVEN
IN INCHES, THIRD ANGLE PROJECTION.

DRAWN BY JAD

MAT'L:

SCALE 3/4

DATE 10-1-97

NYLON 6/6

DRAWING NO.

GB0239FH

DWG
SIZE
A

REV	DATE	BY	CHK	DESCRIPTION	ECN - R	CUST	SUP
6	7/6/04	JAD		UPDATE PICTORIALY	GB0239FH	6	
5	5-10-02	LGG		ADDED ADHESIVE BACKING NOTE.	GB0239FH	5	